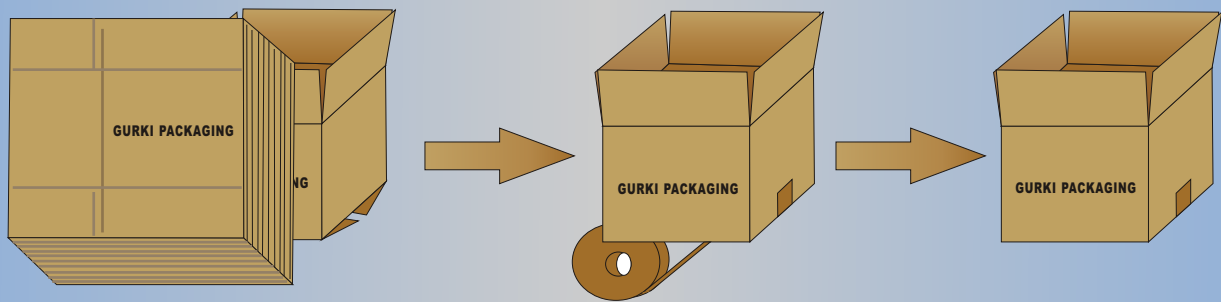


GPK-40

Carton Erector/ Carton Forming Machine

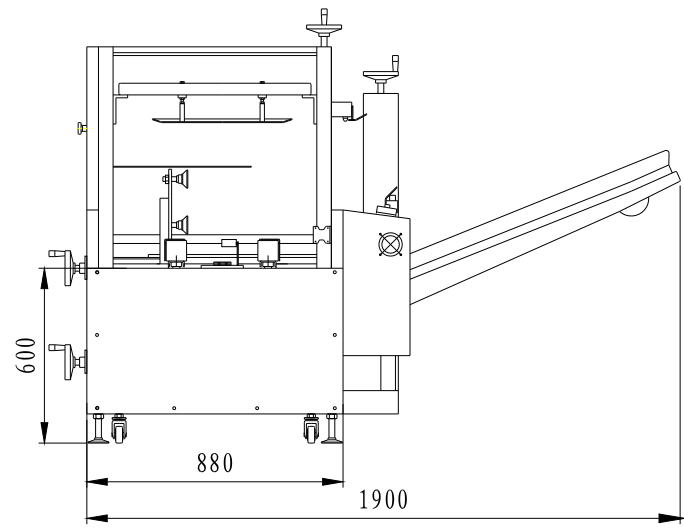
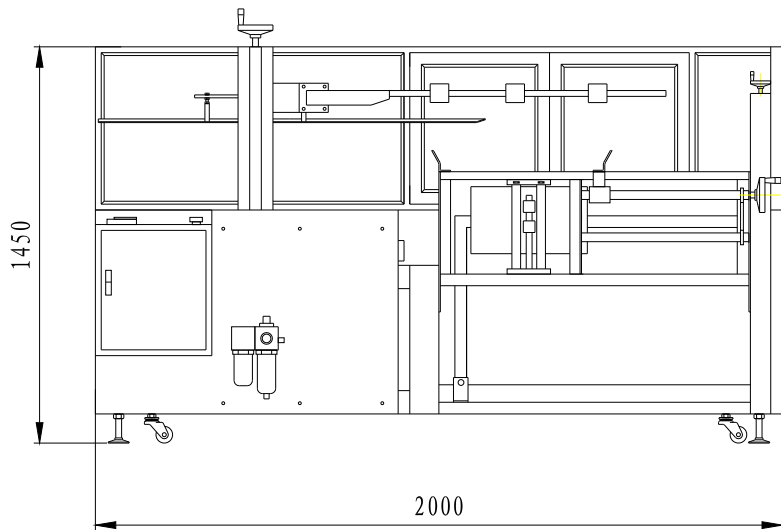


About GPK-40:

If you are looking for a carton erector which is compact, reliable, easy to use and maintain with reasonable price and erecting speed up to 12 cartons, GPK-40 is an ideal and wise choice for you.

www.gurkipack.com

More About GPK-40



GPK-40 Practical Design

Based on principle 'easy to know how to operate at one glance for common users', Gurki engineering team develops GPK-40 vertical carton erector which is suitable for complicated production environment through innovation and study on world carton-erecting technology. GPK-40 with storage system up to 100 cartons, is equipped with alarm system which can remind operator to replenish cartons in time. Erecting system works fast and soft and it can protect cartons free from damage during erection. Bottom sealing system, one of the most advanced sealing technology in China, seals bottom cover of cartons clean and tidy for next production process.

GPK-40 Reliability

GPK-40 is born for heavy and complicated rear packaging environment. From every part to whole machine, Gurki quality engineers take rigid test on machine reliability to ensure every machine will provide constant production power for you.

GPK-40 Parameters

- ※Power Supply: 220/380V 50Hz
- ※Table height: 600±50mm
- ※Working speed: 10-12cartons/min
- ※Tape width: 48mm, 60mm, 75mm
- ※Machine size: L2000×W1900×H1450mm
- ※Machine Weight: 400kg

Carton Size:

	Minimum	Maximum
Length	200mm	450mm
Width	150mm	400mm
Height	100mm	350mm

GPK-40 Swift Adjustment

GPK-40 is simply designed and is equipped with easy-to-know operation panel, thus an operator who is shortly trained can finish adjustment on GPK-40 in two minutes. Gurki provide free training.

E-mail: info@gurki.cn

Tel: 86-755-29537386 Fax: 86-755-61124577

ShenZhen Gurki Packaging Machine Co.,Ltd

Dalang Street, Bao'an District, Shenzhen City, China