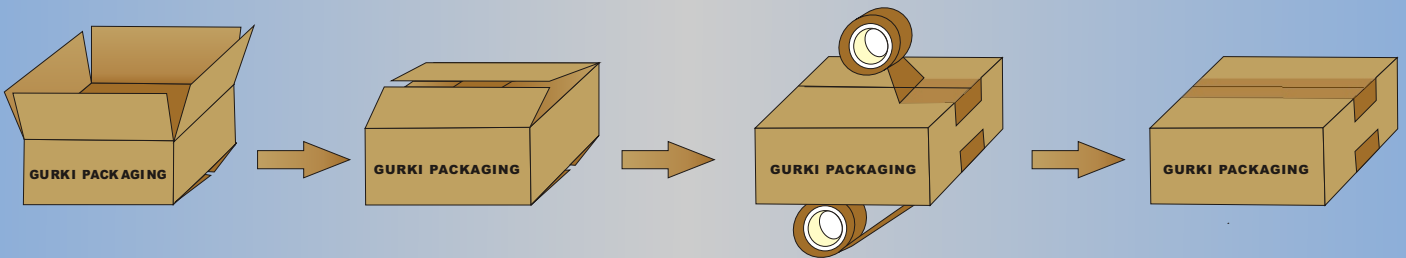


GPC-50

Semi-auto Flaps Folding Carton Sealer

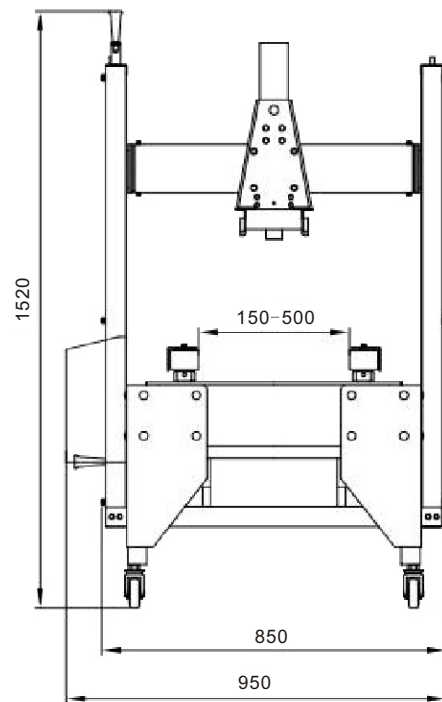
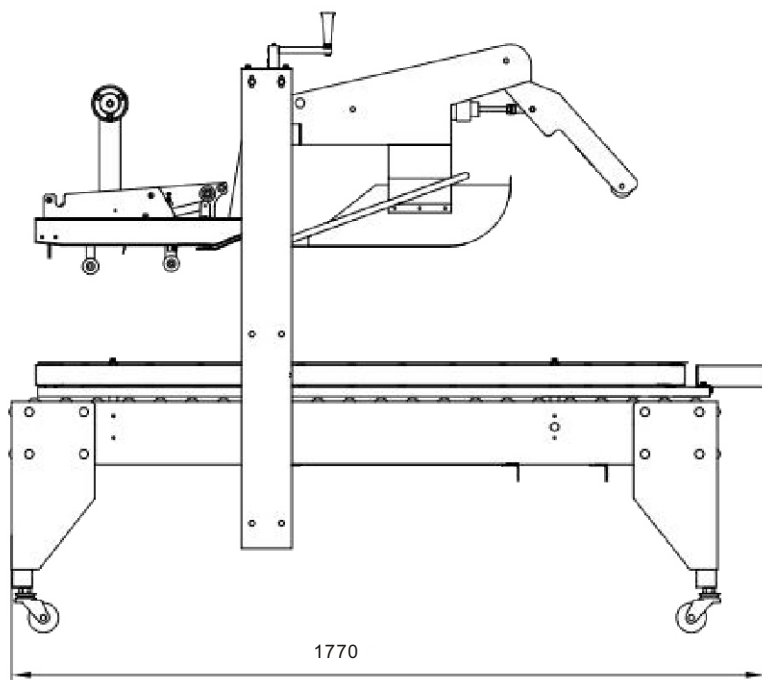


About GPC-50:

GPC-50 is a flap folding carton sealer that is easy to operate and maintain. With its compactness and reliability, GPC-50 has earned remarkable market response. Equipped with top bottom-side driving system, GPC-50 can seal the carton top cover and carton bottom cover at one time, and sealing speed can reaches up to 25 cartons per minute.

www.gurkipack.com

More About GPC-50



GPC-50 Practical Design

Every design of GPC-50, derived from world-class technology and Gurki innovation, represents the best achievement of carton sealing technology in China. From carton entering to sealing, practical conveying system, flap folding system and sealing system designed by Gurki skilled engineers ensures beautiful sealing and constant production.

GPC-50 Parameters

- ※Power Supply: 110/220V 50Hz
- ※Power: 240W
- ※Table height: Min.580mm, Max.780mm
- ※Working speed: 20M/min
- ※Tape width: 48mm, 60mm, 75mm
- ※Machine size: L1770×W850×H1520mm
- ※Machine Weight: 180kg

GPC-50 Reliability

Compact design and high-quality parts enable GPC-50 to seal a carton with the gross weight less than 40KG in every complicated production environment. Before shipping, Gurki technicians take every rigid test to ensure GPC-50 is qualified for client's requirement on carton sealing.

Carton Size:

	Minimum	Maximum
Length	200mm	600mm
Width	150mm	500mm
Height	150mm	500mm

E-mail: info@gurki.cn

Tel: 86-755-29537386 Fax: 86-755-61124577

ShenZhen Gurki Packaging Machine Co.,Ltd

Dalang Street, Bao'an District, Shenzhen City, China